

## Key Features



ZigBee Interface: Support for IEEE 802.15.4, ZigBee HA1.2, with RF of 2.4Ghz

0-10V Interface: IEC60929 dimming control output, up to 60mA of 0-10V fixtures

DMX Interface: DMX512-A (ANSI E1.11-2004), as well as DMX512-RDM

## Electrical Specifications

Input Voltage: 110-277VAC, 50/60Hz

Input Power: <1W standby power

5A total switching power

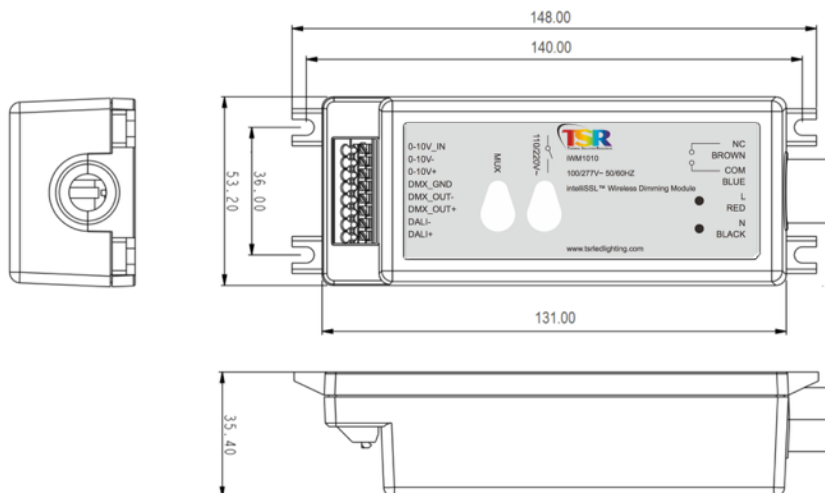
## Environmental Specifications

Ambient Operating Temperature: -20°C to 50°C (4°F to 122°F)

0% to 90% humidity, noncondensing

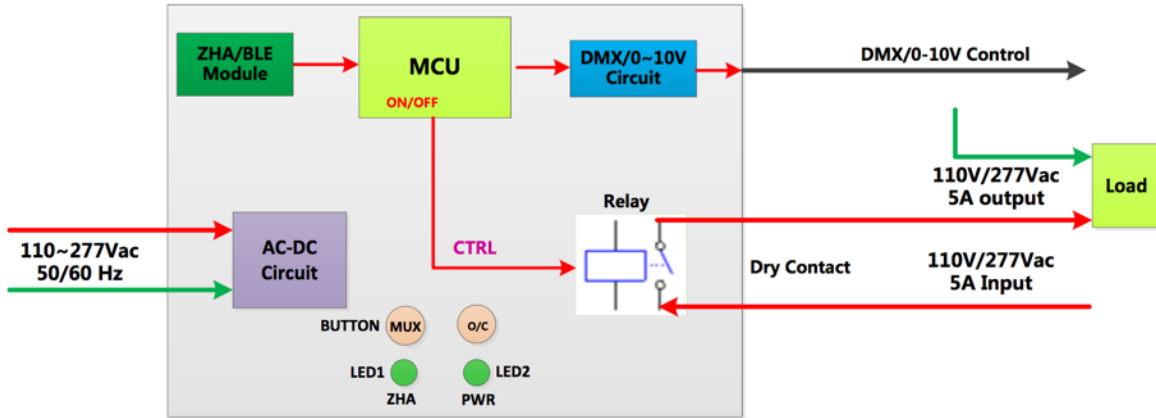
## Dimensions

Shown in mm.

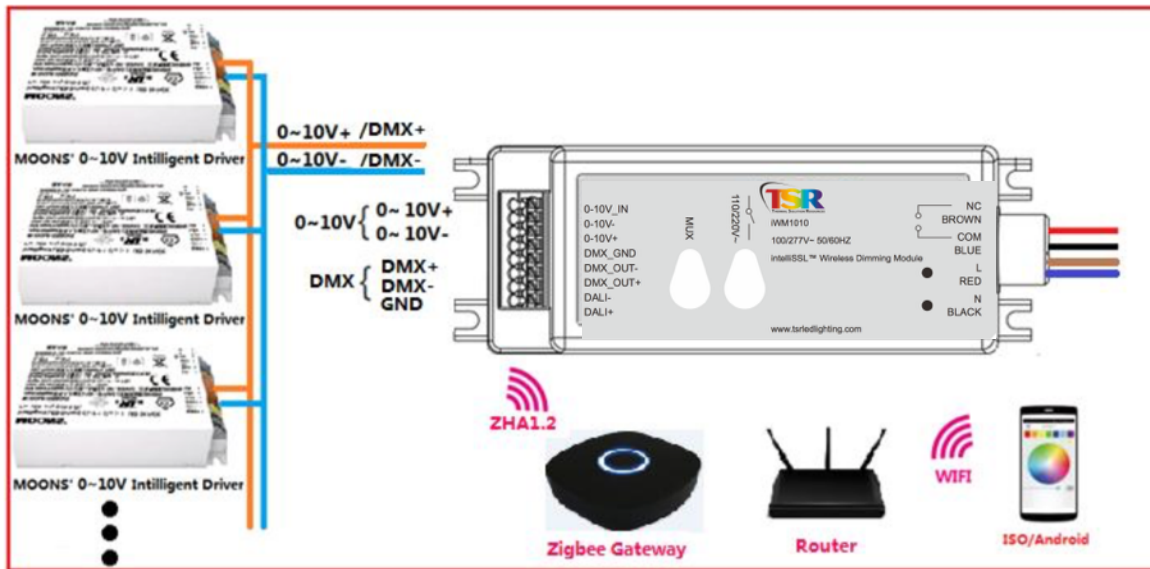


Preliminary data sheet, subject to change.

# Block Diagram



# Wiring Diagram



Preliminary data sheet, subject to change.